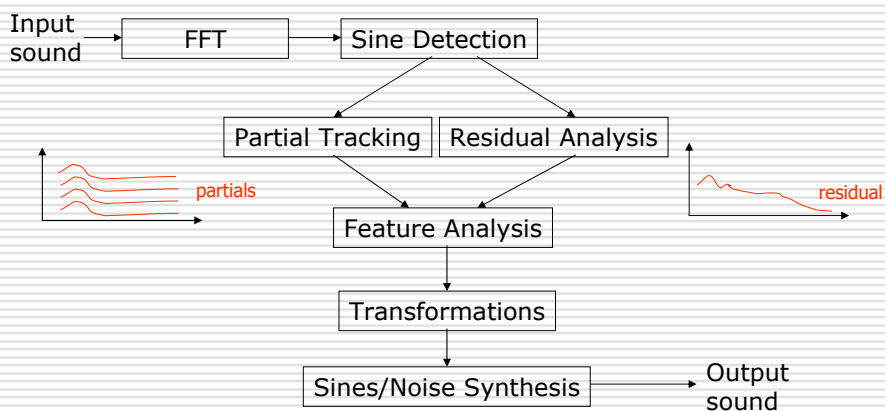


Spectral Modeling Synthesis: Past and Present

Xavier Serra
MTG-IUA, Universitat Pompeu Fabra
Barcelona, Spain
<http://www.iua.upf.es>

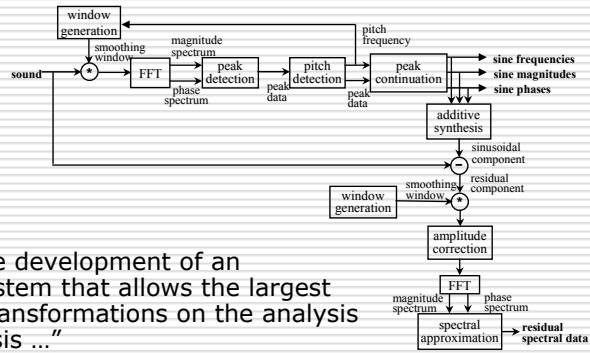


Spectral Analysis/Synthesis



... some history

X. Serra. 1989. *A system for sound analysis / transformation / synthesis based on a deterministic plus stochastic decomposition*. Ph.D. Thesis. Stanford University.



“...The objective is the development of an analysis/synthesis system that allows the largest possible number of transformations on the analysis data before resynthesis ...”

Relevant Research Topics (I)

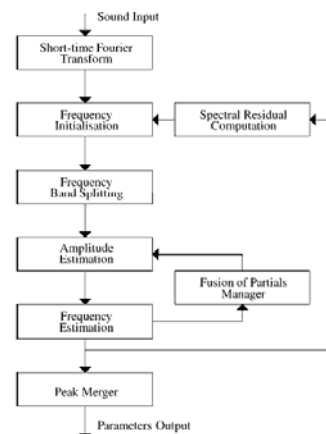
- Detection/Estimation of Sinusoids
- Partial Tracking
- Transient Modeling
- Multiresolution
- Residual Analysis/Modeling
- Feature-based Analysis/Synthesis
- Synthesis of Sinusoids/Noise

Relevant Research Topics (II)

- ❑ Morphing
- ❑ Time Scaling
- ❑ Compression/Transmission
- ❑ Source Separation/Transcription
- ❑ Music Content Analysis
- ❑ Instrument/Voice Models
- ❑ Expanded Models
- ❑ Software Environments

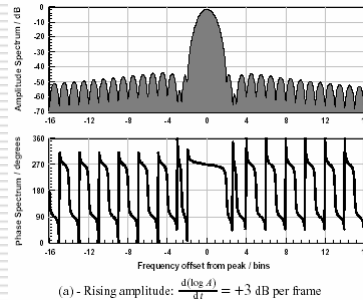
Detection/Estimation of Sinusoids (I)

- ❑ George, E. B. (thesis, 1991)
 - Analysis by synthesis where each sinusoid is subtracted one at a time.
- ❑ Depalle, P.; Hélie, T. (WASPAA, 1997)
 - parametric modeling of the STFT.
- ❑ Goodwin, M. (thesis, 1997)
 - Matching Pursuit.



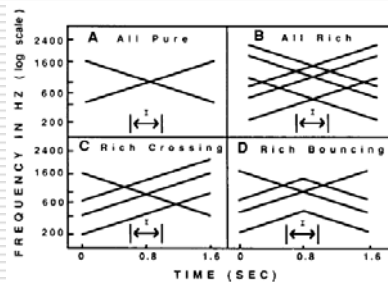
Detection/Estimation of Sinusoids (II)

- Ding, Y.; Qian, X. (ICMC, 1997)
 - Global optimization of phase using B-spline quadratic polynomials.
- Masri, P. (DAFX, 1998)
 - Measurement of distortion.
- Marchand, S. (DAFX, 1998)
 - n signal derivatives.
- Hainsworth, S.; Macleod, M. (DAFX, 2003)
 - Frequency reassignment.



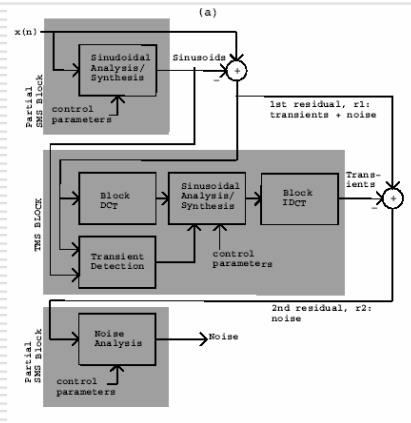
Partial Tracking

- Depalle, Ph. et al. (ICMC, 1993)
 - Hidden Markov Models.
- Wang, A. (thesis, 1994)
 - Frequency-Lock Loop.
- Lagrange, M. et al. (DAFX, 2003)
 - Linear prediction of the frequency evolutions.



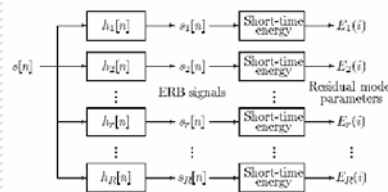
Transient Modeling

- Masri, P. (thesis 1996)
 - Analysis of transients to position analysis window.
- Ali, M. (thesis, 1996)
 - Wavelet Analysis for transients.
- Verma, T. et alt. (ICMC, 1997)
 - Sinusoids+Transients+ Noise Model.



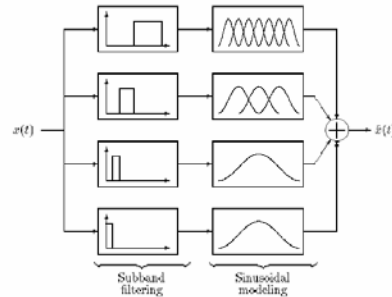
Residual Analysis/Modeling

- Hamdy, K. N. et alt. (ICASSP, 1996)
 - Wavelet coding of residual.
- Goodwin, M. (thesis, 1996)
 - Filter-bank auditory model.
- Ding Y.; Qian, X. (ICMC, 1997)
 - LPC modeling.
- Desainte-Catherine, M; Hanna, P. (DAFX, 2000)
 - Parameterization of noise-like sounds.



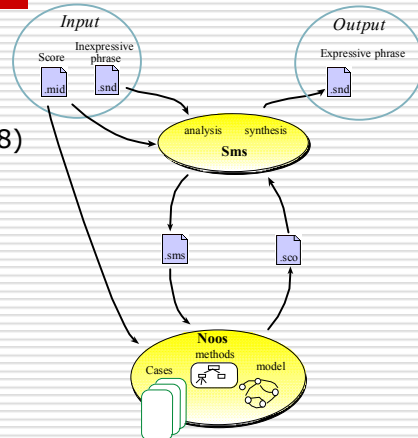
Multiresolution

- Ellis, D.; Vercoe, B. (ICMC, 1990)
 - constant-Q bandpass filters before sinusoidal modeling.
- Levine, S. et al. (WASPAA, 1997)
 - Bounded-Q transform.
- Polotti P.; Evangelista G. (DAFX, 2001)
 - Harmonic-Band Wavelets.



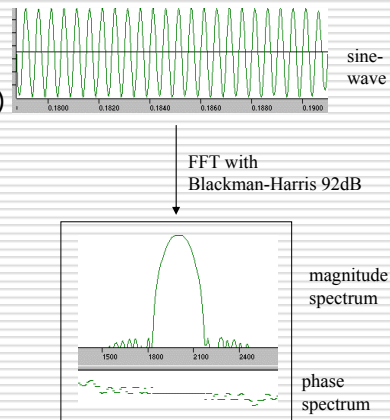
Feature-based Analysis/Synthesis

- Arcos, J. et al. (ICMC, 1997)
 - Expression analysis and transformation.
- Serra, X.; Bonada, J. (DAFX, 1998)
 - High-level features for transformations.
- Rossignol S. et al. (DAFX, 1999)
 - Vibrato processing.
- Gómez, E. et al. (DAFX, 2003)
 - Melodic transformations.
- Gouyon, F. et al. ((DAFX, 2003)
 - Rhythm transformations.



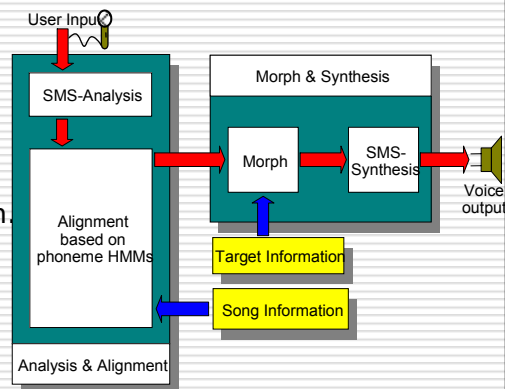
Synthesis of Sinusoids/Noise

- Rodet, X.; Depalle, Ph. (AES, 1992)
 - IFFT synthesis for sinusoids.
- Goodwin, M.; Rodet, X. (ICMC, 1994)
 - IFFT synthesis for nonstationary sines.
- Fitz, K.; Haken, L. (ICMC 1995)
 - Bandwidth Enhanced Sinusoidal Modeling.
- Goodwin, M. (thesis, 1996)
 - Noise synthesis using Equivalent Rectangular Bands.



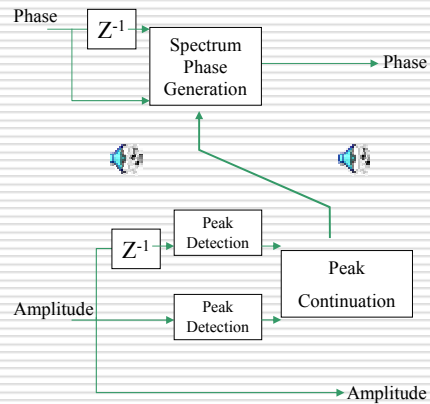
Morphing

- Serra, X. (ICMC, 1994)
 - Featured-based interpolation.
- Tellman, E. et al. (ICMC, 1994)
 - Sinusoidal interpolation.
- Cano, P. et al. (ICMC, 2000)
 - Voice morphing.



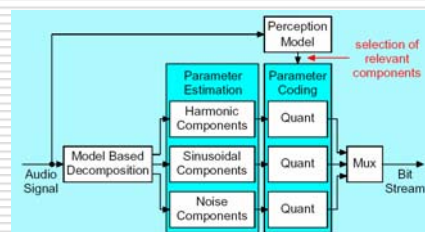
Time Scaling

- Verma, T.; Meng, H. (DAFX, 1998)
 - Using Sines + Transients + Noise Signal Model.
- Laroche, J.; Dolson, M. (IEEE, 1999)
 - Spectral Peaks.
- Bonada, J. (ICMC, 2000)
 - Spectral Peak Processing.



Coding/Transmission

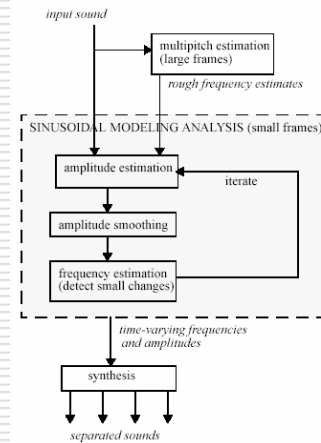
- Hamdy, K. N. et al. (ICASSP, 1996)
 - Harmonics plus wavelets.
- Levine, S. N. (thesis, 1998)
 - Transformations in transform domain.
- Purnhagen, H.; Meine N. (ISCAS, 2000)
 - MPEG4: Harmonic and Individual Lines plus Noise (HILN).
- Amatriain, X. et al. (AES, 2002)
 - Content-based transmission.



Source Separation / Transcription

- Maher, R. (thesis, 1989)
 - Partial collision and Two Way Mismatch algorithm for F0 detection.

- Virtanen, T. et al. (ICASSP, 2000)
 - Multipitch analysis and iterative parameter estimation.



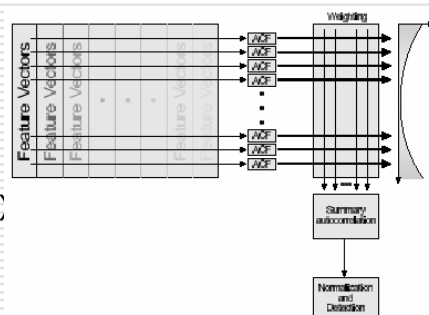
Music Content Analysis

- Herrera, P. et al. (CBMI, 1989)
 - Descriptors for MPEG-7.

- Heittola, T.; Klapuri, A. (ISMIR, 2002)
 - Identification of drums.

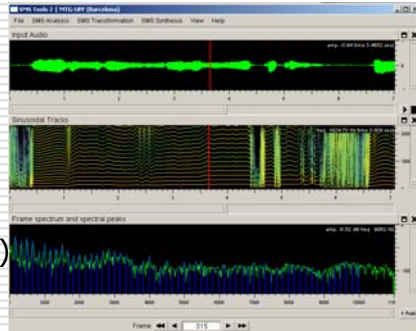
- Gómez, E. et al. (JNMR, 2003)
 - Melodic description.

- Wang, A. (Shazam, 2003)
 - Audio identification.



Software Environments

- Serra, X. (LMJ, 1991)
 - SANSY: Lisp environment based on SPIRE
- Fitz, K. et al. (ICMC, 1995)
 - Lemur
- Loscos, A. et al. (DAFX, 1998)
 - SMSPerformer
- Amatriain, X. et al. (ACM, 2002)
 - CLAM



Conclusions

- From speech to audio to music.
- From analysis/synthesis to content processing.
- Beyond signal processing techniques.
- Techniques are ready for many practical applications.
- Need to combine bottom-up with top-down approaches.

Sinusoidal plus Residual Modeling of Musical Sounds: Relevant References

compiled by Xavier Serra, September 2003

1. Chamberlin, H. 1980. "Using the FFT for Synthesis." In *Music Applications of Microprocessors*, Hayden Book Co., pp. 424-431.
2. Almeida, L. B. and F. M. Silva. 1983. "Harmonic Coding with Variable-Frequency Synthesis", *Proceedings of the 1983 Spain Workshop on Signal Processing and its Applications (WSPA'83)*, Sitges, Spain, September 1983.
3. Smith, J.O. and B. Friedlander. 1984. "High Resolution Spectrum Analysis Programs." TM no. 5466-05, Systems Control Technology, Palo Alto CA, April 1984.
4. Almeida, L. B. and F. M. Silva. 1984. "Variable-Frequency Synthesis: An Improved Harmonic Coding Scheme", *Proceedings of the 1984 IEEE International Conference on Acoustics, Speech and Signal Processing (ICASSP'84)*, S. Diego, California, March 1984.
5. Griffin, D. W.; J. S. Lim. 1985. "A New Model-Based Speech Analysis / Synthesis System", *IEEE-ICASSP*, 1985, pp. 513-516.
6. McAulay, R. J. and T. F. Quatieri. 1986. "Speech Analysis/Synthesis based on a Sinusoidal Representation." *IEEE Transactions on Acoustics, Speech and Signal Processing* 34(4):744--754.
7. McAulay R. J; Thomas F. Quatieri. 1986. "Phase Modeling and its Application to Sinusoidal Transform Coding", *IEEE Int. Conf. on Acoustics, Speech and Signal Processing*, pp. 1713-1715, April 1986.
8. Quatieri, T. F.; R. J. McAulay. 1986. "Speech Transformations Based on a Sinusoidal Representation", *IEEE Transactions on Acoustics, Speech and Signal Processing*, Vol. 34, No. 6, December 1986.
9. Serra, X. 1986. "A Computer Model for Bar Percussion Instruments" *Proceedings of International Computer Music Conference 1986*. La Haya, The Netherlands
10. Smith, J.O.; Serra, X. 1987. "PARSHL: an analysis/synthesis program for non-harmonic sounds based on a sinusoidal representation". *International Computer Music Conference*, 1987.
11. McAulay, R. J.; T. F. Quatieri. 1988. "Computationally efficient sine-wave synthesis and its application to sinusoidal transform coding." *Proc. IEEE ICASSP-88*, pp. 370-373, 1988.
12. Maher, Robert C. 1989. *An Approach for the Separation of Voices in Composite Musical Signals*. Ph.D. Thesis, University of Illinois at Urbana-Champaign.
13. McAulay, R. J.; Thomas F. Quatieri. 1989. "Phase Coherence in Speech Reconstruction for Enhancement and Coding Applications", *IEEE Int. Conf. on Acoustics, Speech and Signal Processing*, Glasgow, pp. 207-209 (May 1989).

14. Serra, X. Smith, J. 1989. "Spectral Modeling Synthesis". Proceedings of International Computer Music Conference 1989. Ohio, USA
15. Serra, X. 1989. A system for sound analysis/transformation/synthesis based on a deterministic plus stochastic decomposition. Ph.D. thesis, Stanford University.
16. Ellis, Daniel P., Barry L. Vercoe. 1990. "A wavelet based sinusoid model of sound for auditory signal separation." ICMC90
17. Maher, Robert and James Beauchamp. 1990. "An Investigation of Vocal Vibrato for Synthesis." *Applied Acoustics* 30 pp. 219-245
18. McAulay, R. J.; T. F. Quatieri. 1990. "Pitch Estimation and Voicing Detection Based on a Sinusoidal Speech Model." Proceedings IEEE ICASSP 1990.
19. Schumacher, R. T., and C. Chafe. 1990. "Detection of Aperiodicity in Nearly Periodic Signals." Proceedings of the IEEE Int. Conf on Acoustics, Speech, and Signal Processing, Albuquerque, NM, 1990.
20. George, E. B. 1991. An Analysis-by-Synthesis Approach to Sinusoidal Modeling Applied to Speech and Musical Signal Processing. Ph.D. dissertation, Georgia Institute of Technology.
21. George, E. B. and M. J. T. Smith. 1991. "An Analysis-by-Synthesis Approach to Sinusoidal Modeling Applied to the Analysis and Synthesis of Musical Tones," in *Proc. 1991 CMA International Computer Music Conference*, October 1991, pp. 356-359.
22. Serra, X. 1991. "SANSY: An Environment for the transformation of musical sounds", *Leonardo Music Journal* Vol. Fall.
23. Xie, X.; R. J. Evans. 1991. "Multiple Target Tracking and Multiple Frequency Line Tracking Using Hidden Markov Models." *IEEE Transactions on Signal Processing*, vol. 39, pp. 2659-2676, December 1991.
24. Fitz, K; W. Walker; L. Haken. 1992. "Extending the McAulay-Quatieri Analysis for Synthesis with a Limited Number of Oscillators". ICMC92.
25. Freed, Adrian; Xavier Rodet, Philippe Depalle. 1992. "Synthesis and Control of Hundreds of Sinusoidal Partials on a Desktop Computer without Custom Hardware", ICSPAT 92, San José (USA), 1992
26. Garcia G. 1992. "Analyse des Signaux Sonores en Termes de Partiels et de Bruit. Extraction Automatique des Trajets Fréquentiels par des Modèles de Markov Cachés." *Mémoire de DEA en Automatique et Traitement du Signal*, Orsay, 1992.
27. George, E. B.; M. J.T.Smith. 1992. "Analysis-by-Synthesis/Overlap-Add Sinusoidal Modeling Applied to the Analysis and Synthesis of Musical Tones". *J. Audio Eng. Soc.*, Vol. 40, No. 6, June 1992.
28. Holloway, Bryan and Lippold Haken. 1992. "A Sinusoidal Synthesis Algorithm for Generating Transitions Between Notes", ICMC92
29. McIntyre, C. M.; D. A. Dermott. 1992. "A New Fine-Frequency Estimation Algorithm Based on Parabolic Regression." *IEEE-ICASSP 1992*, pp. 541-544.
30. Rodet, X. and P. Depalle. 1992. "Spectral Envelopes and Inverse FFT Synthesis." 93rd Convention of the Audio Engineering Society. San Francisco, October 1992.

31. Barrett, R.F.; Holdsworth, D.A. 1993. "Frequency tracking using hidden Markov models with amplitude and phase information", *IEEE Transactions on Signal Processing*, Volume: 41, Issue: 10, Year: Oct 1993 Page(s): 2965-2976
32. Depalle, Ph., G. Garcia and X. Rodet. 1993. "Analysis of Sound for Additive Synthesis: Tracking of Partial Using Hidden Markov Models." *Proceedings of the 1993 International Computer Music Conference*. San Francisco: Computer Music Association.
33. Doval, B., and X. Rodet. 1993. "Fundamental frequency estimation and tracking using maximum likelihood harmonic matching and HMMs." *Proceedings of the ICASSP '93*, 221--224.
34. Laroche, J.; Y Stylianou; E. Moulines. 1993. "HNS: Speech Modification based on a Harmonic+Noise Model". *Proc. IEEE-ICASSP-93*, Vol. II. pp. 550-553, April 1993.
35. Macon, Michael W. 1993. *Applications of Sinusoidal Modeling to Speech and Audio Signal Processing*. Ph.D. dissertation, Georgia Institute of Technology.

36. Adams, G.J.; Evans, R.J. 1994. "Neural networks for frequency line tracking" *IEEE Transactions on Signal Processing*, Volume: 42 Issue: 4, April 1994 Page(s): 936 -941
37. Doval, B. 1994. *Estimation de la Fréquence Fondamentale des signaux sonores*. PhD. Thesis, Université Paris-6, Paris, 1994.
38. Goodwin, M. and X. Rodet. 1994. "Efficient Fourier Synthesis of Nonstationary Sinusoids." *Proceedings of the 1994 International Computer Music Conference*. San Francisco: Computer Music Association.
39. Serra, Xavier. 1994. "Residual Minimization in a Musical Signal Model based on a Deterministic plus Stochastic Decomposition." *Journal of the Acoustical Society of America* 95(5-2):2958--2959.
40. Serra, Xavier. 1994. "Sound Hybridization Techniques based on a Deterministic plus Stochastic Decomposition Model." *Proceedings of the 1994 International Computer Music Conference*. San Francisco: Computer Music Association.
41. Tellman, E.; L. Haken; B. Holloway. 1994. "Timbre Morphing Using the Lemur Representation." *Proceedings of the International Computer Music Conference*, Aarhus, Denmark, October 1994.
42. Wang, A. 1994. *Instantaneous and Frequency-Warped Signal Processing Techniques for Audio Source Separation*. Ph.D. Thesis, Stanford University.

43. Dutoit, T. and B. Gosselin. 1995. "On the Use of a Hybrid Harmonic/Stochastic Model for TTS synthesis-by-Concatenation." *Speech Communication* 19 pp. 119-143.
44. Fitz, Nelly; Lippold Haken, and Bryan Holloway. 1995. "Lemur - A Tool for Timbre Manipulation." *International Computer Music Conference*, September 1995, Banff Centre, Alberta, Canada
45. Fitz, K; and L. Haken. 1995. "Bandwidth Enhanced Sinusoidal Modeling in Lemur." *Proc. International Computer Music Conference*, Banff, 1995.
46. Goodwin, M.; A. Kogon. 1995. "Overlap-add synthesis of non-stationary sinusoids." *Proc. International Computer Music Conference*, Banff, 1995.

47. Masri, P., Bateman, A. 1995. "Identification of nonstationary audio signals using the FFT, with application to analysis-based synthesis of sound." Proc. IEE Colloquium on Audio Engineering. pp. 11.1-6.
48. McAulay, R. J.; T. F. Quatieri. 1995. "Sinusoidal coding." In *Speech Coding and Synthesis*, Chapter 4, W.B. Kleijn, and K.K. Paliwal Eds., Elsevier, 1995.
49. Osaka, N. 1995. "Timbre Interpolation of Sounds Using a Sinusoidal Model." ICMC 95.
50. Quatieri, T. F. and T. E. Hanna. 1995. "Time-scale modification with inconsistent constraints", in *Proceedings of the IEEE Workshop on Applications of Signal Processing to Audio and Acoustics, New Paltz, NY*, New York, Oct. 18, 1995, pp. Session 10, Paper 2, IEEE Press.
51. Stylianou, Y.; J. Laroche; E. Moulines. 1995. "High Quality Speech Modification based on a Harmonic + Noise Model." Eurospeech-95.
52. Tellman, E.; L. Haken; B. Holloway. 1995. "Timbre Morphing of Sounds with Unequal Number of Features." *J. Audio Eng. Soc.*, Vol. 43, No 9. 1995.
53. Wang, A. 1995. "Instantaneous and frequency-warped techniques for source separation and signal parametrization." in *Proceedings of the IEEE Workshop on Applications of Signal Processing to Audio and Acoustics, New Paltz, NY*, New York, Oct. 1995, IEEE Press.

54. Ali, M. 1996. *Adaptive Signal Representation with Applications in Audio Coding*. Ph.D. thesis, University of Minnesota.
55. Depalle, P.; L. Tromp. 1996. "An Improved Additive Analysis Method Using Parametric Modeling of the Short-Time Fourier Transform." *Proceedings of the ICMC 96*.
56. Dutoit, T.; B. Gosselin. 1996. "On the use of a hybrid harmonic/stochastic model for TTS synthesis-by-concatenation." *Speech Communication* 19, pp. 119-143.
57. Fitz, Kelly and Lippold Haken. 1996. "Sinusoidal Modeling and Manipulation Using Lemur." *Computer Music Journal*, vol. 20.4, 1996, pp. 44-59.
58. Goodwin, M. ; M. Vetterli. 1996. "Time-Frequency Signal Models for Music Analysis, Transformation, and Synthesis." *Time-Frequency Time-Scale Symposium, Multidimensional Systems and Signal Processing* , Paris, Aug. 1996.
59. Goodwin, M. 1996. "Residual modeling in music analysis-synthesis." Proc IEEE-ICASSP, Atlanta, GA, pp. 1005-1008, May 1996.
60. Gribonval, R.; E. Bacry, S. Mallat, Ph. Depalle, X. Rodet. 1996. "Analysis of sound signal with high resolution matching pursuit." *Proceedings of the IEEE Conference on Time-Frequency and Time-Scale Analysis (TFTS'96)*, Paris, France, June 1996.
61. Hamdy, K. N.; M. Ali and A. H. Tewfik. 1996. "Low bit rate high quality audio coding with combined harmonic and wavelet representations." *Proceedings of ICASSP96*
62. Lomax, K. 1996. "The development of a singing synthesizer." in *Speech and Computers (SPECOM)*, 1996.
63. Macon, M. W. 1996. *Speech Synthesis Based on Sinusoidal Modeling*. PhD thesis, Georgia Institute of Technology, October 1996.
64. Macon, M. W. and M. A. Clements. 1996. "Speech concatenation and synthesis using an overlap-add sinusoidal model." in *Proceedings of the*

- International Conference on Acoustics, Speech, and Signal Processing, vol. 1, pp. 361-364, May 1996.
65. Masri, P. 1996. Computer Modeling of Sound for Transformation and Synthesis of Musical Signal. PhD thesis, University of Bristol, Dec. 1996.
 66. Masri, P.; A. Bateman. 1996. "Improved Modelling of Attack Transients in Music Analysis-Resynthesis." ICMC-96.
 67. Phillips, D.; A. Purvis; S. Johnson. 1996. "Multirate Additive Synthesis." ICMC 96.
 68. Pielemeier, W. J.; G.H. Wakefield. 1996. "A high-resolution time-frequency representation for musical instrument signals." *J. Acoust. Soc. Amer.*, 99(4), 1996.
 69. Stainsby, Thomas. 1996. "A System for the Separation of Simultaneous Musical Audio Signals." ICMC96
 70. Arcos, J. Lopez de Mantaras, R. Serra, X. 1997. "Generating expressive musical performances with SaxEx." Proceedings of AIMI International Workshop. KANSEI - The Technology of Emotion. Genova, Italy
 71. Arcos, J. Lopez de Mantaras, R. Serra, X. 1997. "Saxex: a Case-Based Reasoning System for Generating Expressive Musical Performances". Proceedings of International Computer Music Conference 1997. Thessaloniki, Greece
 72. Bonada, J. 1997. "Desenvolupament d'un entorn gràfic per a l'anàlisi, transformació i síntesi de sons mitjanant models espectrals". UPC. Barcelona
 73. Depalle, P.; T. Hélie. 1997. "Extraction of Spectral Peak Parameters Using a Short-Time Fourier Transform Modeling and No Sidelobe Windows." Proceedings of IEEE Workshop on Audio, Mohonk 1997.
 74. Ding Y.; X. Qian. 1997. "Sinusoidal and Residual Decomposition and Residual Modeling of Musical Tones Using the QUASAR Signal Model." Proceedings of the ICMC 97.
 75. Ding, Y. and Qian, X., 1997. "Processing of Musical Tones Using a Combined Quadratic Polynomial-Phase Sinusoid and Residual (QUASAR) Signal Model." *J. Audio Eng. Soc.*, Vol. 45, No. 7/8, pp. 571-584.
 76. Ding, Y. and Qian, X., 1997. "Estimating Sinusoidal Parameters of Musical Tones based on Global Waveform Fitting", Proceedings of the IEEE Workshop on Multimedia Signal Processing, pp. 95-100, June 1997.
 77. Dubnov, S.; X. Rodet. 1997. "Statistical Modeling of Sound Aperiodicities." ICMC-97.
 78. Fitz, K.; L. Haken. 1997. "Sinusoidal Modeling and Manipulation Using Lemur." *Computer Music Journal*, vol. 20, n 4. [direct implementation of the McAulay and Quatieri sinusoidal modeling approach]
 79. George, E. B.; M. J.T.Smith. 1997. "Speech Analysis/Synthesis and Modification Using and Analysis-by-Synthesis/Overlap-Add Sinusoidal Model." *IEEE Transactions on Speech and Audio Processing*, vol. 5, No. 5.
 80. Goodwin, M. 1997. "Matching pursuit with damped sinusoids," in *Proceedings ICASSP '97*, Munich, Germany, May 1997, vol. 3, pp. 2037–2040.
 81. Goodwin, M., 1997. Adaptive Signal Models: Theory, Algorithms, and Audio Applications. Ph.D. Thesis, University of California, Berkeley

82. Laroche, J. and M. Dolson, "About this phasiness business." in *Proceedings of the IEEE Workshop on Applications of Signal Processing to Audio and Acoustics, New Paltz, NY*, New York, Oct. 1997, IEEE Press.
83. Levine, Scott, Tony Verma, Julius O. Smith III. 1997. "Alias-Free, Multiresolution Sinusoidal Modeling for Polyphonic, Wideband Audio." IEEE Workshop on Applications of Signal Processing to Audio and Acoustics, Mohnonk, NY, 1997.
84. Loureiro, R. Serra, X. 1997. "A Web Interface for a Sound Database and Processing System". Proceedings of International Computer Music Conference 1997. Thessaloniki, Greece
85. Lomax, Ken. 1997. The Analysis and Synthesis of the Singing Voice. Ph.D: Thesis, Oxford University.
86. Macon, M. W.; L. Jensen-Link, J. Oliverio, M. Clements, and E. B. George. 1997. "Concatenation-based MIDI-to-singing voice synthesis." 103rd Meeting of the Audio Engineering Society, New York, 1997.
87. Macon, M. W.; L. Jensen-Link, J. Oliverio, M. Clements, and E. B. George. 1997. "A system for singing voice synthesis based on sinusoidal modeling," *Proc. of International Conference on Acoustics, Speech, and Signal Processing*, Vol. 1, pp. 435-438, 1997.
88. Prandoni, P.; M. Goodwin, M. Vetterli. "Optimal time segmentation for signal modeling and compression." Proc ICASSP97, vol 3, pp. 2029-2032, Munich, Germany, April 1997.
89. Qian, Ding. 1997. "A phase interpolation algorithm for sinusoidal model based music synthesis." Proceedings of the International Conference on Acoustics, Speech and Signal Processing, 1997, pp. 451-454.
90. Rodet, X. 1997. "Musical Sound Signals Analysis/Synthesis: Sinusoidal+Residual and Elementary Waveform Models", in Proceedings of the IEEE Time-Frequency and Time-Scale Workshop (TFTS'97), University of Warwick, Coventry, UK, 27th-29th August 1997.
91. Serra, X. Bonada, J. Herrera, P. Loureiro, R. 1997. "Integrating Complementary Spectral Models in the Design of a Musical Synthesizer." Proceedings of International Computer Music Conference 1997. Thessaloniki, Greece
92. Serra, Xavier. 1997. "Musical Sound Modeling With Sinusoids Plus Noise." In Roads, Pope, Poli (eds.). *Musical Signal Processing*. Swets & Zeitlinger Publishers.
93. Sullivan, D. L 1997. "Accurate frequency tracking of timpani spectral lines." *JASA*, 101 (1), 1997.
94. Verma, T. S.; S. N. Levine; T. H.Y. Meng. 1997. "Transient Modeling Synthesis: a flexible analysis/synthesis tool for transient signals", Proceedings of the ICMC 1997.
95. Amatriain, X. Bonada, J. Serra, X. 1998. "METRIX: A Musical Data Definition Language and Data Structure for a Spectral Modeling Based Synthesizer". Proceedings of COST G6 Conference on Digital Audio Effects 1998. Barcelona
96. Arcos, J. Lopez de Mantaras, R. Serra, X. 1998. "Saxex: a Case-Based Reasoning System for Generating Expressive Musical Performances". *Journal of New Music Research* Vol.27 .3

97. Campedel, Marine. 1998. Etude du modèle "sinusoids et bruit" pour le traitement des signaux de parole, Estimation Robuste de l'enveloppe spectrale. Ph.D. Thesis, TELECOM Paris.
98. Cano, P. 1998. "Fundamental Frequency Estimation in the SMS analysis." Proceedings of COST G6 Conference on Digital Audio Effects 1998. Barcelona
99. Di Federico, Riccardo. 1998. "Waveform Preserving Time Stretching and Pitch Shifting for Sinusoidal Models of Sound". Proceedings of COST G6 Conference on Digital Audio Effects 1998. Barcelona
100. Fernandez-Cid, Pablo. 1998. Transcripción Automática de Señales Musicales Polifónicas. PhD Thesis, Universidad Politécnica de Madrid.
101. George, E. B. 1998. "Practical High-Quality Speech and Voice Synthesis Using Fixed Frame Rate ABS/OLA Sinusoidal Modeling." in *Proc. 1998 IEEE Int'l Conf. On Acoust., Speech, and Signal Processing*, May 1998.
102. Guerra, E. 1998. "VowSynth: A Synthesizer of Vowel Sounds Based on Additive Synthesis." Proceedings of COST G6 Conference on Digital Audio Effects 1998. Barcelona
103. Herrera, P. Bonada, J. 1998. "Vibrato Extraction and Parameterization in the Spectral Modeling Synthesis framework." Proceedings of COST G6 Conference on Digital Audio Effects 1998. Barcelona
104. Irizarry, R. A. 1998. Statistics and Music: Fitting a Local Harmonic Model to Musical Sound Signals. Ph.D. thesis, University of California, Berkeley.
105. Klapuri, A. 1998. "Automatic Transcription of Music." MSc thesis, Tampere University of Technology, 1998.
106. Klapuri, A. 1998. "Number Theoretical Means of Resolving a Mixture of Several Harmonic Sounds." Proceedings of the European Signal Processing Conference, 1998.
107. Laroche, Jean. 1998. "Using Resonant Filters for the Synthesis of Time-Varying Sinusoids." 105th AES Convention, San Francisco, CA. 1998. Preprint 4782 (F-6).
108. Levine, Scott. 1998. Audio Representation for Data Compression and Compressed Domain Processing. Ph.D. thesis. Stanford University.
109. Levine, S. N. and J. O. Smith. 1998. "A sines+transients+noise audio representation for data compression and time/pitch-scale modifications." *Audio Engineering Society Convention*, no. 4781, 1998.
110. Loscos, A.; Resina, E. 1998. "SMSPerformer: A real-time synthesis interface for SMS". Proceedings of COST G6 Conference on Digital Audio Effects 1998. Barcelona
111. Macias, B. 1998. "SMS3d: An application for the visualization of SMS data." Proceedings of COST G6 Conference on Digital Audio Effects 1998. Barcelona
112. Marchand, Sylvain. 1998. "Improving Spectral Analysis Precision with an Enhanced Phase Vocoder using Signal Derivatives." *Proceedings of COST G6 Conference on Digital Audio Effects 1998. Barcelona*
113. Masri, Paul. 1998. "Extracting more Detail from the Spectrum with Phase Distortion Analysis." DAFX98-Workshop, Barcelona (Spain), November 1998 .
114. Peeters, G.; X. Rodet. 1998. "Sinusoidal Characterization in terms of Sinusoidal and Non-Sinusoidal Components." DAFX98-Workshop, Barcelona (Spain), november 1998 .

115. Resina, E. 1998. "SMS Composer and SMS Conductor: Applications for Spectral Modeling Synthesis Composition and Performance." Proceedings of COST G6 Conference on Digital Audio Effects 1998. Barcelona.
116. Serra, X. Bonada, J. 1998. "Sound Transformations Based on the SMS High Level Attributes." Proceedings of COST G6 Conference on Digital Audio Effects 1998. Barcelona
117. Verma, T. S.; T. H. Y. Meng. 1998. "An Analysis/Synthesis Tool for Transient Signals." ASA98.
118. Verma, T. S.; T. H. Y. Meng. 1998. "An Analysis/Synthesis Tool for Transient Signals that Allows a Flexible Sines#Transient#Noise Model for Audio." ICASSP98.
119. Verma, T. S.; T. H. Y. Meng. 1998. "Sinusoidal Modeling Using Frame-Based Perceptually Weighted matching Pursuits." ICASSP99.
120. Verma, T. S.; T. H. Y. Meng. 1998. "Time Scale Modification Using a Sines+Transients+Noise Signal Model." Proceedings of the Digital Audio Effects Workshop (DAFX98), Barcelona, November 1998.
121. Wright, M. Chaudhary, A. Freed, A. Wessel, D. Rodet, X. Woehrmann, R. Serra, X. 1998. "New Applications of the Sound Description Interchange Format." Proceedings of International Computer Music Conference 1998. Michigan, USA

122. Althoff, Rasmus; Florian Keiler; Udo Zölzer. 1999. "Extracting Sinusoids from Harmonic Signals." DAFX99.
123. Fitz, Kelly. 1999. The Reassigned Bandwidth-Enhanced Method of Additive Synthesis. Ph. D. dissertation, Dept. of Electrical and Computer Engineering, University of Illinois at Urbana-Champaign.
124. Freed, Adrian. 1999. "Spectral Line Broadening with Transform Domain Additive Synthesis." ICMC99.
125. Herrera, P., X. Serra, G. Peeters. 1999. "A proposal for the description of audio in the context of MPEG-7", Proceedings of the CBMI'99 European Workshop on Content-Based Multimedia Indexing.
126. Irizarry, Rafael. 1999. "Weighted Estimation of Harmonic Components in a Musical Sound Signal." JTSA
127. Koenen, R. 1999. *Overview of the MPEG-4 Standard*. ISO/IEC JTC1/SC29/WG11 N3156, Dec. 1999.
128. Laroche, J. and M. Dolson. 1999. "New phase-vocoder techniques for real-time pitch shifting, chorusing, harmonizing, and other exotic audio modifications." *Journal of the Audio Engineering Society*, vol. 47, no. 11, pp. 928–936, November 1999.
129. Laroche, J. and M. Dolson. 1999. "New phase-vocoder techniques for pitch-shifting, harmonizing, and other exotic effects." in *Proceedings of the IEEE Workshop on Applications of Signal Processing to Audio and Acoustics*, New Paltz, NY, New York, Oct. 17–20, 1999, pp. 91–94, IEEE Press.
130. Laroche, Jean and Mark Dolson. 1999. "Improved Phase Vocoder Time-Scale Modification of Audio." *IEEE Transactions on Speech and Audio processing*. Vol. 7, No. 3, May 1999.
131. Levine, S. N. 1999. *Audio Representations for Data Compression and Compressed Domain Processing*. Ph.D. Thesis, Stanford University
132. Levine, S. N. and Julius O. Smith III. 1999. "A Switched Parametric & Transform Audio Coder." ICASSP-99

133. Levine, S. N. and Julius O. Smith III. 1999. "Improvement to the Switched Parametric & Transform Audio Coder." Proc. IEEE Workshop on Applications of Signal Processing to Audio and Acoustics.
134. Peeters, G.; X. Rodet. 1999. "SINOLA: A New Analysis/Synthesis using Spectrum Peak Shape Distortion, Phase and Reassigned Spectrum." ICMC99, Beijing (China).
135. Rossignol, S.; P. Depalle, J. Soumagne, X. Rodet, J.-L. Collette. 1999. "Vibrato: detection, estimation, extraction, modification." DAFX99
136. Schwarz, D.; X. Rodet. 1999. "Spectral Envelope Estimation and Representation for Sound Analysis-Synthesis." Proceedings of the International Computer Music Conference (ICMC'99), Beijing, October 1999.
137. Tolonen, Tero. 1999. "Methods for Separation of Harmonic Sound Sources using Sinusoidal Modeling." Preprint Number: 4958 AES Convention 106.
138. Troughton, Paul T. 1999. "Bayesian Restoration of Quantised Audio Signals using a Sinusoidal Model with Autoregressive Residuals". Proceedings of the IEEE Workshop on Applications of Signal Processing to Audio and Acoustics. Mohonk, 1999.
139. Verma, T.S. and T.H.Y. Meng. 1999. "Sinusoidal modeling using frame-based perceptually weighted matching pursuits," in *Proceedings ICASSP'99*, Phoenix, Arizona, USA, May 1999, vol. 2, pp. 981–984.
140. Verma, Tony S. "A Perceptually Based Audio Signal Model with Application to Scalable Audio Compression". Ph.D. thesis. Stanford University, October 1999.
141. Vos, K.; R. Vafin, R. Heusdens, and W.B. Kleijn. 1999. "High-quality consistent analysis-synthesis in sinusoidal coding," in Proceedings of the AES 17th International Conference, Florence, Italy, September 1999, pp. 244–250.
142. Bonada, J. 2000. "Automatic Technique in Frequency Domain for Near-Lossless Time-Scale Modification of Audio." Proceedings of International Computer Music Conference 2000. Berlin, Germany
143. Cano, P., A. Loscos, J. Bonada, M. de Boer, X. Serra. 2000. "Voice Morphing System for Impersonating in Karaoke Applications." *Proceedings of the International Computer Music Conference 2000*.
144. De Boer, M., J. Bonada, X. Serra. 2000. "Using the Sound Description Interchange Format within the SMS Applications." *Proceedings of the International Computer Music Conference 2000*.
145. De Boer, M., J. Bonada, Cano, P., A. Loscos, X. Serra. 2000. "Singing Voice Impersonator Application for PC." *Proceedings of the International Computer Music Conference 2000*.
146. Desainte-Catherine, M.; S. Marchand. 2000. "High-Precision Fourier Analysis of Sounds Using Signal Derivatives." JAES, vol. 48, no. 7/8.
147. Desainte-Catherine, Myriam; Pierre Hanna. 2000. "Statistical Approach for Sound Modeling." Proc. of the COST G-6 Conference on Digital Audio Effects (DAFX-00), Verona, Italy, December 7-9, 2000.
148. Edler, Bernd; Heiko Purnhagen. 2000. "Parametric Audio Coding."
149. Fitz, K.; L. Haken; P. Christensen. 2000. "A new algorithm for Bandwidth Association in Bandwidth-Enhanced Additive Sound Modeling." Proceedings of the ICMC 2000.
150. Fitz, K.; L. Haken; P. Christensen. 2000. "Transient Preservation under Transformation in an Additive Sound Model". Proceedings of the ICMC 2000.

151. Herrera, P., X. Amatriain, E. Batlle, X. Serra. 2000. "Towards Instrument Segmentation for Music Content Description: a Critical Review of Instrument Classification Techniques." Proceedings of the International Symposium on Music Information Retrieval 2000.
152. Izmirli, Ozgur. 2000. "Non-harmonic Sinusoidal Modeling Synthesis Using Short-time High-resolution Parameter Analysis." Conference on Digital Audio Effects (DAFx), 2000.
153. Klapuri, A., T. Virtanen, J.-M. Holm. 2000. "Robust multipitch estimation for the analysis and manipulation of polyphonic musical signals." In Proc. COST-G6 Conference on Digital Audio Effects, Verona, Italy, 2000.
154. Laroche, J. 2000. "Synthesis sinusoids via non-overlapping inverse fourier transform." IEEE Transactions on Speech and Audio Processing, vol. 8, no. 4, pp. 471–477, July 2000.
155. Laurenti, Nicola; Giovanni De Poli. 2000. "A Method for Spectrum Separation and Envelope Estimation of the Residual in Spectrum Modeling of Musical Sound". Proc. of the COST G-6 Conference on Digital Audio Effects (DAFX-00), Verona, Italy, December 7-9, 2000.
156. Painter, T. 2000. Scalable Perceptual Audio Coding with a Hybrid Adaptive Sinusoidal Signal Model. Ph.D. Thesis, Arizona State University, June 2000.
157. Purnhagen, H. and N. Meine. 2000. "HILN – the MPEG-4 parametric audio coding tools," in *Proc. IEEE Int. Symposium on Circuits and Systems (ISCAS)*, Geneva, CH, May 2000, pp. III–201 – III–204.
158. Tolonen, T. 2000. "Object-based sound source modeling for musical signals." in AES 109th Convention, Preprint 5174, (Los Angeles, USA), Sept. 2000.
159. Verma, T. S.; T. H. Y. Meng. 2000. "Extending Spectral Modeling Synthesis with Transient Modeling Synthesis", *Computer Music Journal* 24:2, pp.47-59.
160. Virtanen, T. 2000. Audio signal modeling with sinusoids plus noise. Master's thesis, Department of Information Technology, Tampere University of Technology, 2000
161. Virtanen, Tuomas; Anssi Klapuri. 2000. "Separation of Harmonic Sound Sources using Sinusoidal Modeling." ICASSP 2000.
162. Wright, M., J. Beauchamp, K. Fitz, X. Rodet, A. Röbel, X. Serra, G. Wakefield. 2000. "Analysis/synthesis comparison." *Organized Sound*, 5(3), pp 173-189. 2000.
163. Amatriain, X. Bonada, J. Loscos, A. Serra, X. 2001. "Spectral Modeling for Higher-level Sound Transformation." Proceedings of MOSART Workshop on Current Research Directions in Computer Music. Barcelona
164. Amatriain, X. Herrera, P. 2001. "Audio Content Transmission." Proceedings of COST G6 Conference on Digital Audio Effects 2001. Limerik, Ireland
165. Anal J. S. Ferreira. 2001. "Perceptual Coding using Sinusoidal Modeling in the MDCT Domain." Preprint Number: 5569 AES Convention: 112 2002-05
166. Bonada, J. Celma, O. Loscos, A. Ortola, J. Serra, X. 2001. "Singing Voice Synthesis Combining Excitation plus Resonance and Sinusoidal plus Residual Models." Proceedings of International Computer Music Conference 2001. Havana, Cuba

167. Bonada, J. Loscos, A. Cano, P. Serra, X. 2001. "Spectral Approach to the Modeling of the Singing Voice." Proceedings of 111th AES Convention. New York, USA
168. Duxbury C., Davies M., Sandler M. 2001. "Separation of Transient Information in Musical Audio Using Multiresolution Techniques". DAFX01
169. Ferreira, A.J.S. 2001. "Accurate Estimation in the ODFT Domain of the Frequency, Phase and Magnitude of Stationary Sinusoids". WASPAA01
170. Ferreira, A.J.S. 2001. "Combined Spectral Envelope Normalization and Subtraction of Sinusoidal Components in the OFDT and MDCT Frequency Domains". WASPAA01
171. Florian. 2001. Time-scale Modification using the Phase Vocoder. Diploma Thesis. Graz University of Music and Dramatic Arts.
172. Garcia, G. 2001. "Estimation of Sinusoids in Audio Signals using an Analysis-by-Synthesis Neural Network." IEEE International Conference on Acoustics, Speech and Signal Processing (ICASSP), 2001, Salt Lake City, UT.
173. Goodwin, M. M. 2001. "Multiscale Overlap-Add Sinusoidal Modeling Using Matching Pursuit and Refinements." WASPAA01
174. Haas, J. 2001. "SALTO - A Spectral Domain Saxophone Synthesizer" Proceedings of MOSART Workshop on Current Research Directions in Computer Music. Barcelona
175. Hanna, Pierre and Myriam Desainte-Catherine. 2001. "Influence of frequency distribution on intensity fluctuations of noise." DAFX01.
176. Hammer, Florian. 2001. Time-scale Modification using the Phase Vocoder. Diploma Thesis. Institute for Electronic Music and Acoustics (IEM), Graz University of Music and Dramatic Arts.
177. Haste, Tue; Andersen and Kristoffer Jensen. 2001. "On the importance of phase information in additive analysis/synthesis of binaural sounds." Proceedings of International Computer Music Conference 2001. Havana, Cuba
178. Hermus, Kris, Werner Verhelst, Patrick Wambacq. 2001. "Perceptual Audio Modeling Based on Total Least Squares Algorithms." Preprint Number: 5571. Journal of the AES
179. Heusdens, Richard; Renat Vafin, Bastiaan Kleijn. 2001. "Sinusoidal Modeling of Audio and Speech Using Psychoacoustic-Adaptive Matching Pursuits." ICASSP01.
180. Jehan, Tristan and Bernd Schoner. 2001. "An Audio-Driven Perceptually Meaningful Timbre Synthesizer." ICMC2001
181. Jensen J., Heusdens R. Veenman, C.J. 2001. "Optimal Time-Differential Encoding of Sinusoidal Model Parameters." 22nd Symposium on Information Theory in the BENELUX, Enschede (NL), May 2001
182. Kauppinen I., Roth K. 2001. "An Adaptive Technique for Modeling Audio Signals." Conference on Digital Audio Effects DAFX 2001.
183. Keiler, F., Zölzer U. 2001. "Extracting Sinusoids from Harmonic Signals." JNMR 30 (3)
184. Lagrange, M, Marchand, Sylvain. 2001. "Real-time Additive Synthesis of Sound by Taking Advantage of Psychoacoustics". DAFX01
185. Master, Aaron. 2001. "Physical Modeling and Sinusoidal Modeling for Noise and Artifact Elimination." CCRMA class report.

186. Painter, Ted; Andreas Spanias. 2001. "Perceptual Segmentation and Component Selection in Compact Sinusoidal Representations of Audio." ICASSP01.
187. Parra L., Jain U. 2001. "Approximate Kalman Filtering for the Harmonic plus Noise Model". WASPAA01
188. Peeters, Geoffroy. 2001. Modèles et modélisation du signal sonore adaptés à ses caractéristiques locales. PHD thesis Université, Paris VI July 2001
189. Polotti P., Evangelista G. 2001. "Multiresolution Sinusoidal/Stochastic Model for Voiced-Sounds". DAFX01
190. Vafin R., Heusdens R., van de Par, S. & Bastiaan Kleijn, W. 2001. "Improving modeling of audio signals by modifying transient locations." WASPAA01
191. Verfaillie V., Duhamel P., Charbit M. 2001. "Lift: Likelihood-Frequency-Time Analysis for Partial Tracking and Automatic Transcription of Music". DAFX01.
192. Virtanen, T., Klapuri A. 2001. "Separation of Harmonic Sounds Using Multipitch Analysis and Iterative Parameter Estimation." Proc. IEEE Workshop on Applications of Signal Processing to Audio and Acoustics, New Paltz, New York, 2001.
193. Virtanen, Tuomas. 2001. "Accurate Sinusoidal Model Analysis and Parameter Reduction by Fusion of Components", AES Convention 110.
194. Wang, Kun; Hongya Ge, Yinong Ding. 2001. "Adaptive Parametric Schemes for Analysis and Synthesis of Musical Signals." JAES vol. 49 (5)
195. Amatriain, X. Herrera, P. 2002. "Transmitting Audio Content as Sound Objects." Proceedings of AES22 International Conference on Virtual, Synthetic and Entertainment Audio. Espoo, Finland
196. Amatriain, X. de Boer, M. Robledo, E. Garcia, D. 2002. "CLAM: An OO Framework for Developing Audio and Music Applications" Proceedings of 17th Annual ACM Conference on Object-Oriented Programming, Systems, Languages and Applications. Seattle, WA, USA
197. Amatriain, X. Arumi, P. Ramírez, M. 2002. "CLAM, Yet Another Library for Audio and Music Processing?" Proceedings of 17th Annual ACM Conference on Object-Oriented Programming, Systems, Languages and Applications. Seattle, WA, USA
198. Bonada, J. 2002. "Audio Time-Scale Modification in the Context of Professional Post-Production." Doctoral Pre-Thesis Work. UPF. Barcelona
199. Boyer R.; Abed-Meraim K. 2002. "Efficient Parametric Modeling for Audio Transients." Proceedings of the 5th International Conference on Digital Audio Effects.
200. Fitz, Kelly; Lippold Haken. 2002. "On the Use of Time-Frequency Reassignment in Additive Sound Modeling." JAES, vol 50 (11).
201. Hanna, P., Desainte-Catherine M. 2002. "Adapting the overlap-add method to the synthesis of noise". DAFX02.
202. Hanna, P., Myriam Desainte C. 2002. "Detection of sinusoidal components in sounds using statistical analysis of intensity fluctuations". ICMC02
203. Heittola, Toni; Anssi Klapuri. 2002. "Locating Segments with Drums in Music Signals", ISMIR2002.
204. Irizarry, R. A. 2002. "Weighted estimation of harmonic components in a musical sound signal." Journal of Time Series Analysis. 23: 29-48

205. Keiler, Florian; Sylvain Marchand. 2002. "Survey on Extraction of Sinusoids in Stationary Sounds." Proceedings of the 5th International Conference on Digital Audio Effects
206. Lagrange, M; Marchand, S. and Rault, J.-B. 2002. "Sinusoidal Parameter Extraction and Component Selection in a Non Stationary Model." Proceedings of the 5th International Conference on Digital Audio Effects.
207. Lee, M.; and M. J. T. Smith, "Digital singing voice synthesis using a new alternating reflection model", in *ISCAS*, May 2002, vol. 2, pp. 341-344.
208. Marentakis G., Jensen K. 2002. "Sinusoidal Synthesis Optimization." ICMC02
209. Master A. 2002. "Sinusoidal Modeling Parameter Estimation via a Dynamic Channel Vocoder Model". ICASSP02
210. Meine N. & Purnhagen P. 2002. "Fast sinusoid synthesis for MPEG-4 HILN parametric audio decoding". DAFX02.
211. Morris, R.W. and M.A. Clements. 2002. "Modification of formants in the line spectrum domain." *Signal Processing Letters*, vol. 9, pp. 19-21, Jan. 2002.
212. Polotti, Pietro. 2002. "Fractal Additive Synthesis: A Pitch-Synchronous Extension of the Method for the Analysis and Synthesis of Natural Voiced-Sounds", ICMC02
213. Purnhagen, Heiko. 2002. "Parameter Estimation and Tracking for Time-varying Sinusoids." IEEE-MPCA-2002.
214. Röbel A. 2002. "Estimating partial frequency and frequency slope using reassignment operators". ICMC02
215. Timoney, Joseph; Victor Lazzarini, Thomas Lysaght. 2002. "New SndObj Library Classes for Sinusoidal Modeling". DAFX02
216. Tohyama, Mikio. 2002. "Sinusoidal and Envelope-Modulation-Modeling-of-Signals-A Signal Theoretic Approach to Acoustics Events Rendering-". Proceedings of the 2002 International Conference on Auditory Display, Kyoto, Japan.
217. Virtanen, T.; Anssi Klapuri. 2002. "Separation of Harmonic Sounds Using Linear Models for the Overtone Series." ICASSP 2002
218. Wells J. J., Murphy D.T. 2002. "Real-time partial Tracking in an Augmented Additive Synthesis System." DAFX02.
219. Amatriain, X. Bonada, J. Loscos, A. Arcos, J. Verfaillie, V. 2003. "Content-based Transformations." *Journal of New Music Research* Vol.32 .1
220. Beltrán, José R. and Fernando Beltrán. 2003. "Additive synthesis based on the continuous wavelet transform: A sinusoidal plus transient model." DAFX03
221. Bonada, J. Loscos, A. 2003. "Sample-based singing voice synthesizer by spectral concatenation." Proceedings of Stockholm Music Acoustics Conference 2003. Stockholm, Sweden
222. Bonada, J. Loscos, A. Mayor, O. Kenmochi, H. 2003. "Sample-based singing voice synthesizer using spectral models and source-filter decomposition." Proceedings of 3rd International Workshop on Models and Analysis of Vocal Emissions for Biomedical Applications. Firenze, Italy
223. Gómez, E. Gouyon, F. Herrera, P. Amatriain, X. 2003. "Using and enhancing the current MPEG-7 standard for a music content processing tool." Proceedings of Audio Engineering Society, 114th Convention. Amsterdam, The Netherlands

224. Gómez, E. Grachten, M. Amatriain, X. Arcos, J. 2003. "Melodic characterization of monophonic recordings for expressive tempo transformations." Proceedings of Stockholm Music Acoustics Conference 2003. Stockholm, Sweden
225. Gómez, E. Klapuri, A. Meudic, B. 2003. "Melody Description and Extraction in the Context of Music Content Processing." Journal of New Music Research Vol.32 .1
226. Gómez, E. Peterschmitt, G. Herrera, P. 2003. "Content-based melodic transformations of audio for a music processing application". Proceedings of 6th International Conference on Digital Audio Effects. London, UK
227. Gouyon, Fabien; Lars Fabig and Jordi Bonada. 2003. Rhythmic expressiveness transformations of audio recordings: swing modifications". DAFX03
228. Hainsworth, Stephen and Malcolm Macleod. 2003. "On sinusoidal parameter estimation." DAFX03
229. Hanna, Pierre and Myriam Desainte-Catherine. 2003. "Analysis method to approximate the spectral density of noises." Proceedings of the 2003 IEEE Workshop on Applications of Signal Processing to Audio and Acoustics - October 19-22, 2003 - New Platz - New Cork
230. Hanna, Pierre and Myriam Desainte-Catherine. 2003. "Time Scale modification of noises using a Spectral and Statistical Model." Proceedings of the International Conference on Acoustics, Speech, and Signal Processing - April 6-10, 2003 - Hong Kong (China).
231. Helen, Marko and Tuomas Virtanen. 2003. "Perceptually motivated parametric representation for harmonic sounds for data compression purposes." DAFX03
232. Lagrange, Mathieu; Sylvain Marchand, Martin Raspaud and Jean-Bernard Rault. 2003. "Enhanced partial tracking using linear prediction." DAFX03
233. Laroche, Jean. 2003. "Frequency-domain techniques for high-quality voice modification." DAFX03
234. Lee, Matthew E.; Mark J. T. Smith. 2003. "Spectral Modification for Digital Singing Voice Synthesis Using Asymmetric Generalized Gaussians." ICASSP03.